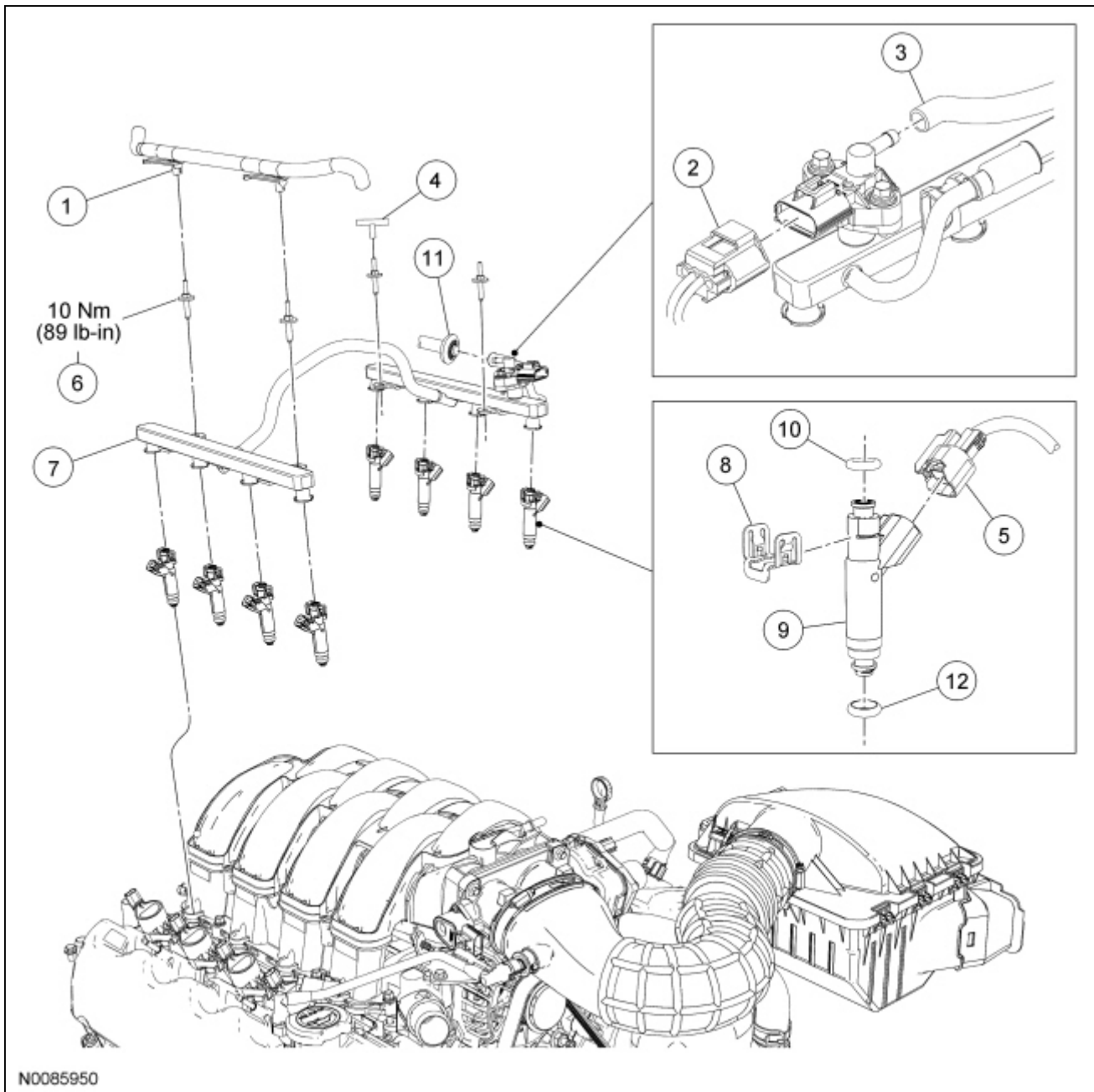


### Fuel Rail and Fuel Injector — Exploded View



Item	Part Number	Description
1	14A163	Wiring harness retainer (2 required) (part of 12B637)
2	14A464	Fuel rail pressure and temperature sensor electrical connector (part of 12B637)
3	9C482	Fuel rail pressure and temperature sensor vacuum hose
4	—	Fuel rail pressure and temperature sensor vacuum hose retainer (part of 9C482)
5	14A464	Fuel injector electrical connector (8 required) (part of 12B637)
6	W705870	Fuel rail stud bolt (4 required)
7	9F792	Fuel rail

8	9C995	Fuel injector retaining clip (8 required)
9	9F593	Fuel injector
10	9F798	Upper fuel injector O-ring seal (8 required)
11	—	Fuel jumper tube-to-fuel rail spring lock coupling (part of 9J280)
12	9F798	Lower fuel injector O-ring seal (8 required)

1. For additional information, refer to the procedures in this section.
-